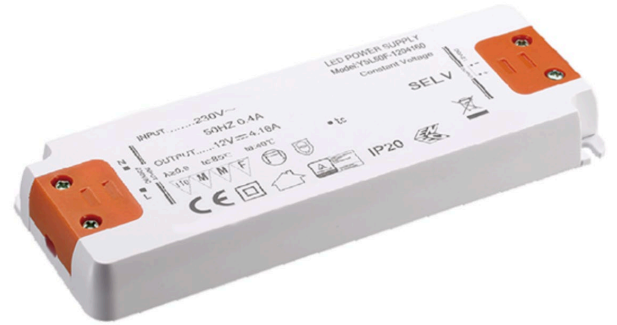


Features

- Compact Size
- Constant Voltage (CV)
- Input Voltage Range 220~240V AC
- Protection OVP, OLP, SCP
- Working Temperature -20°C ~ +45°C
- Class II Protection Design
- Flicker-free Design
- IP20



Certified to TUV-GS, RoHS, REACH & IEC 61347-1/IEC 61347-2-13 Standards and complies with the relevant Efficiency Regulations. These are primarily used in LED Lighting Industries and customised solutions are available upon request.

30W Models

Model Number	DC Voltage (V)	Rated Current (A)	Rated Power (W)	Efficiency (%)	Ripple & Noise (mVp-p)
56YSL50F-1202500	12	2.5	30	88	400
56YSL50F-2401250	24	1.25	30	88	400
56YSL50F-3600830	36	0.83	30	88	400
56YSL50F-4800625	48	0.625	30	88	400

50W Models

Model Number	DC Voltage (V)	Rated Current (A)	Rated Power (W)	Efficiency (%)	Ripple & Noise (mVp-p)
56YSL50F-1204160	12	4.16	50	88	400
56YSL50F-2402080	24	2.08	50	88	400
56YSL50F-3601380	36	1.39	50	88	400
56YSL50F-4801040	48	1.04	50	88	400

Input Specifications

Input Voltage	220-240VAC/198-264VAC
Frequency Range	50-60Hz
AC Current	0.4AMAX@Full Load
Inrush Current	<65 Amps at 230VAC/50Hz@full load
Leakage Current	<0.25mA/240VAC
THD (Full Load)	<20%

Unload Power Consumption (W)	<0.5
Power Factor	≥0.9@Full Load 220-240VAC

Output Specifications

Voltage Tolerance	±5.0%
Line Regulation	±3.0%
Load Regulation	±5.0%
Set up, Rise, Hold up Time	1s, 10ms/60ms 230VAC @ full load

Protection

Overload	Protection type: Auto restore
	Protection type: Hiccup mode, recovers automatically after fault condition is removed.
Over Voltage	Protection type: Auto restore
	Protection type: Shut down o/p voltage, re-power on to recover
Short Circuit	Protection type: Auto restore

Environmental Characteristics

Operating Temp TA	-20°C ~ +45°C
Storage Temp	-40°C ~ +85°C
Maximum Case Temperature Tc	+85°C
Humidity	20 ~ 95% RH
Lifetime	>30000hours@ta 40°C

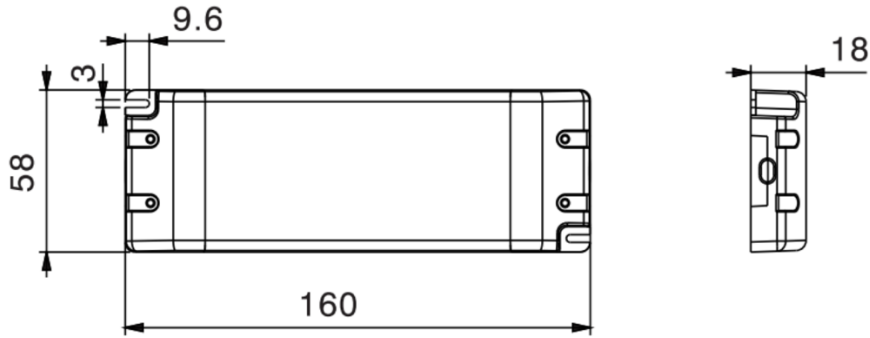
Safety & EMC

Safety Standards	EN61347-2-13:2014+A1:2017, EN61347-1:2015; EN62493:2015
Withstand Voltage	I/P-O/P:3750VAC
Harmonic	EN61000-3-2 Class C EN61000-3-3
EMI	Compliance to EN55015
EMS	Compliance to EN61547:2009

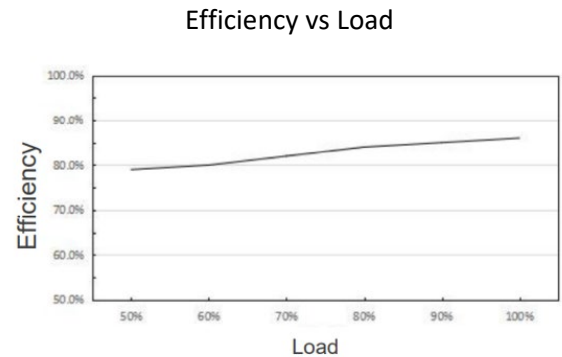
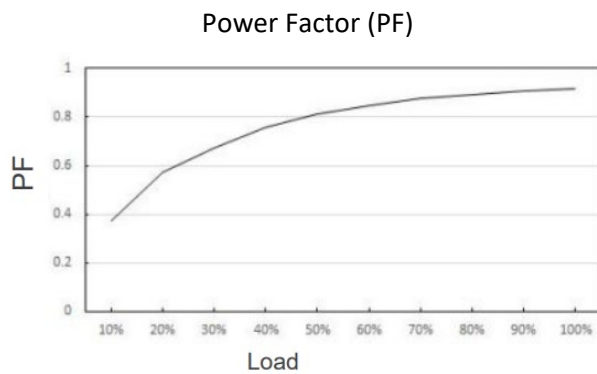
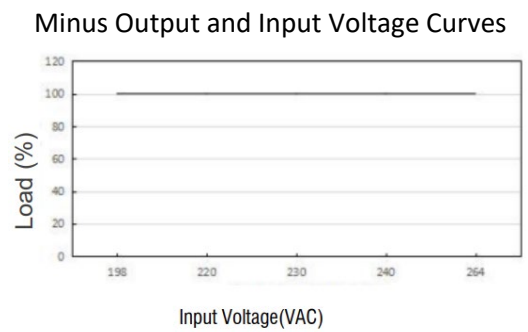
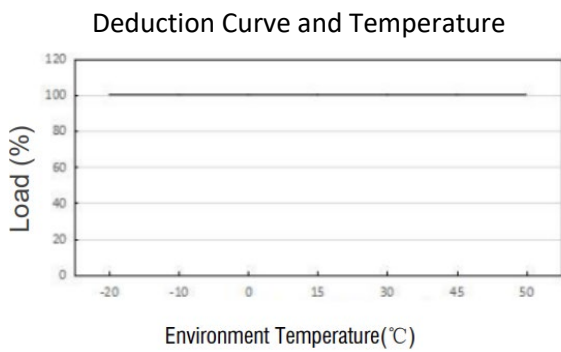
Other

MTBF	200,000 Hours Minimum at Full Load at 25°C Ambient
Case Material and Size	Plastic
IP Grade	IP20
Size	160*58*18mm
Weight	180g / pcs
Packaging	50PCS/CTN,35*14.5*35cm

Dimensions and Installation



Deduction Curve and Temperature



Wiring Diagram

